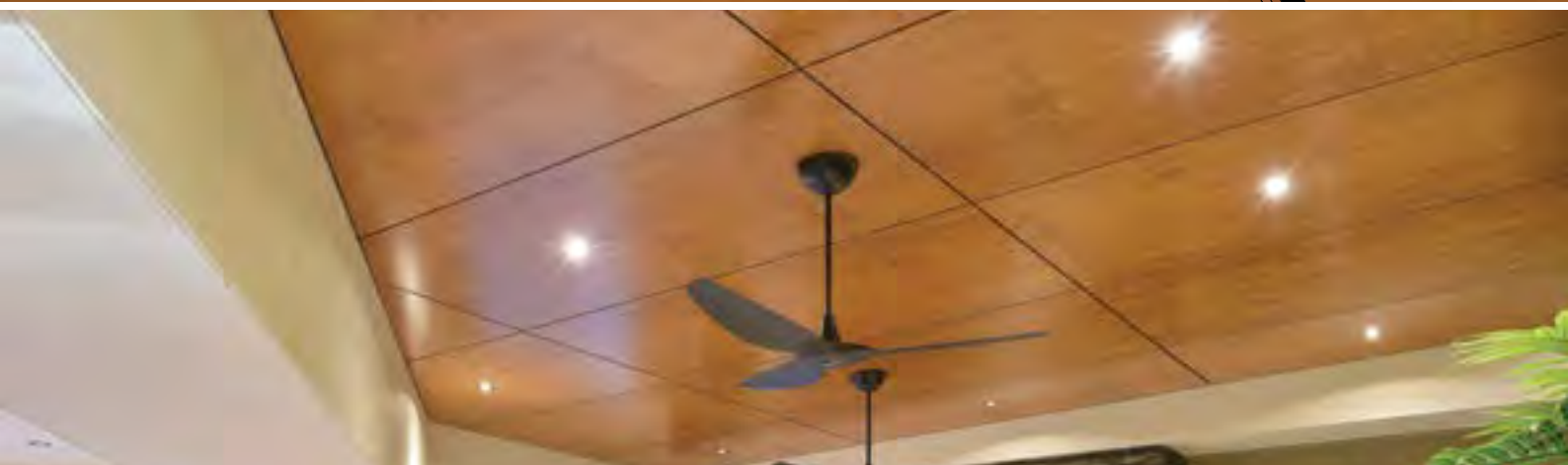


shadow**FIX**®

concealed panel fixing *made easy*

For advice and samples, please
contact us on 07 3426 8666



shadowFIX®

- Easy to install
- No face fixings
- Perfect 10mm shadow line



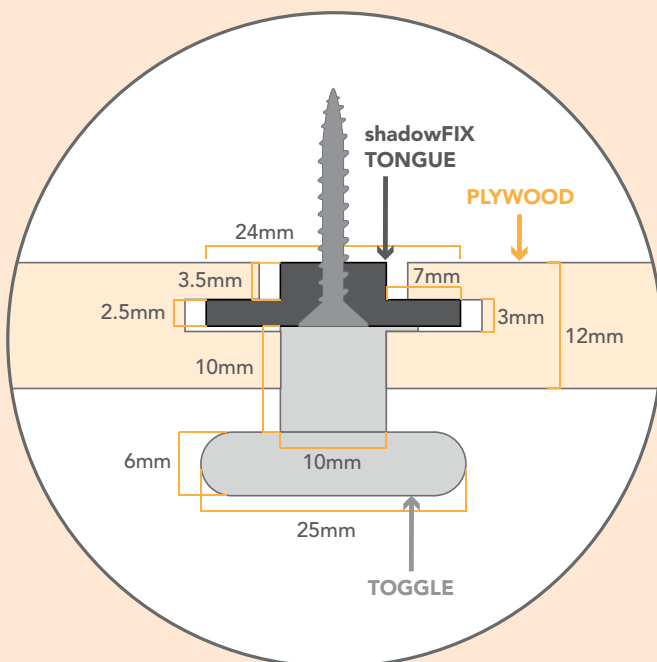
**AUSTRAL
PLYWOODS**

www.australply.com.au

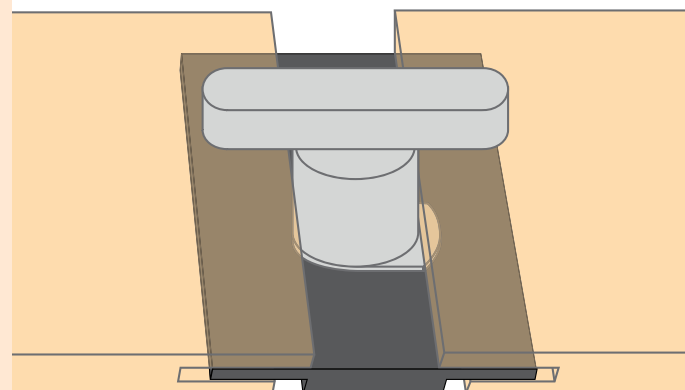
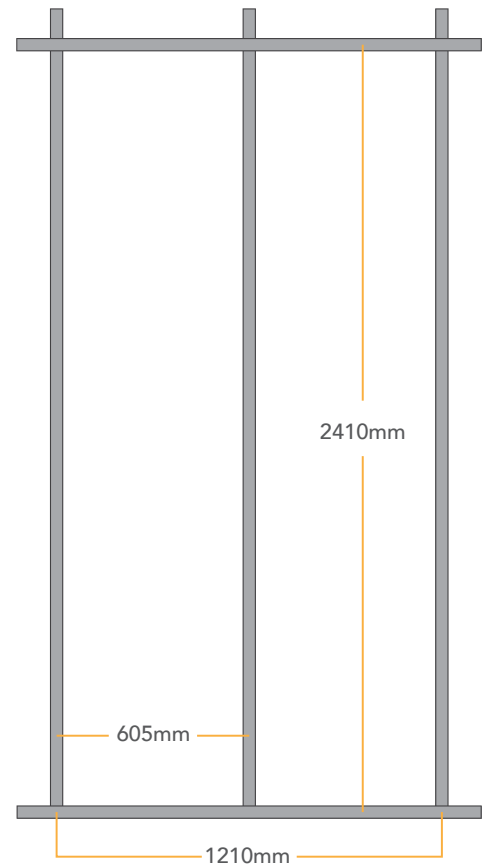
TECHNICAL INFORMATION

shadowFIX is a concealed fixing system for plywood panels utilising a patented plastic tongue design, countersunk screws and Tec7 X-Tack Glue.

- **framing set out** must be at 2410 x 1210 centres
- **shadowFIX plastic tongue** is supplied in 2440mm lengths, pre-drilled and countersunk at 600mm spacings
- **screws** are supplied - 8G 25mm, countersunk Phillips head, marine grade stainless, black painted head and self tapping so you can simply screw straight into timber stud with no fuss
- **Tec7 X-Tack Glue** is used in the centre of the panel
- **toggle lock system** to easily set the 10mm gap (diagram below)
- a **router bit** is available to purchase to accurately groove any on-site cuts
- **edge sealer** is also available in 6 different acrylic colours for the use on raw edges due to on-site cutting



Framing Set Out



shadowFIX is only recommended with timber batons. For information on fixing plywood to steel channel please contact our sales team on 07 3426 8666.